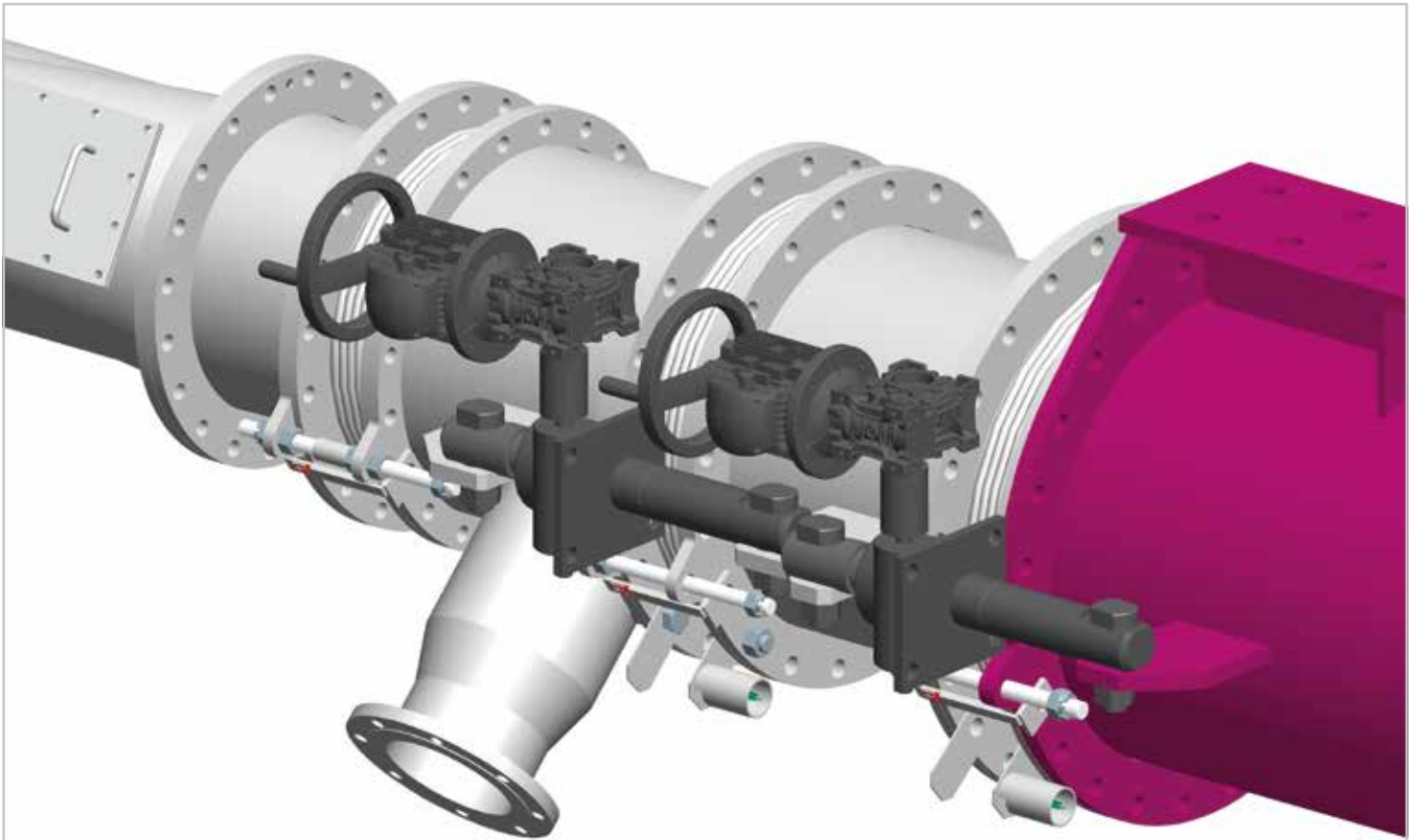


Pillard Mouvtip™

Automatic jack for all kiln burners tips adjustments



Quick and accurate burner tip adjustments

- Optimized combustion efficiency
- Safer adjustment process
- Tailor-made to your need



Improve the adjustment and monitoring of your burner tips position for ultimate performance of combustion

Committed to provide the best combustion performance, Fives has designed Pillard Mouvtip™, an automatic jack guaranteeing the ideal position of the burner tip for an optimized combustion process.

OPTIMIZED COMBUSTION EFFICIENCY

Pillard Mouvtip™ has a control panel allowing the adjustment of the burner tip position in real-time thanks to sensors fitted on the automatic jack. The accurate settings of the swirl and impulse ensure therefore an ultimate performance of combustion process.

SAFER ADJUSTEMENT PROCESS

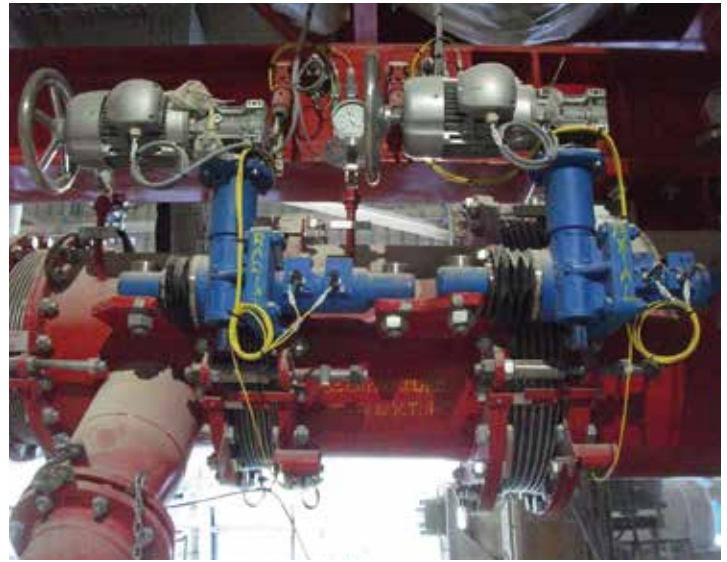
With Pillard Mouvtip™, the adjustment can be made at distance from industrial burners, thus improving the control of burner's operations and security:

- Control panel installed in a separate area
- Adjustment measure displayed on the control panel



Hydraulic automatic jack

Images are for descriptive purposes only, and may be subject to change.



Electric automatic jack

TAILOR-MADE TO YOUR NEED

Available in hydraulic or 100% electric configuration, the automatic jack is compatible with all Pillard burners and others types of burners depending on site constraints.

Technical features

Full electric jack

Power 1,5kW electric motor

Motion speed 35-50mm/min

Hydraulic jack

Pression Oil pressure 160bars

Motor power 0,4kW electric motor for pump
10L oil storage with pressure station installed on the burner

Motion speed 35-50mm/min

Local control panel

Manual control Buttons

Tip position indicator 4-20mA signal